

PIPE CARRIERS SPC-140



PIPE D.N.	NUMBER PIPE PER SIDE	TOTAL PIPE PER TRACTOR	MAXIMUM WALL THICKNESS
24"	2	4	7/8" - 22 mm
22"	2	4	7/8" - 22 mm
20"	2	4	7/8" - 22 mm
18"	2	4	7/8" - 22 mm
16"	4	8	5/8" - 16 mm
14"	4	8	5/8" - 16 mm
12"	4	8	5/8" - 16 mm
10"	6	12	1/2" - 12.7 mm
8"	6	12	1/2" - 12.7 mm
6"	6	12	1/2" - 12.7 mm

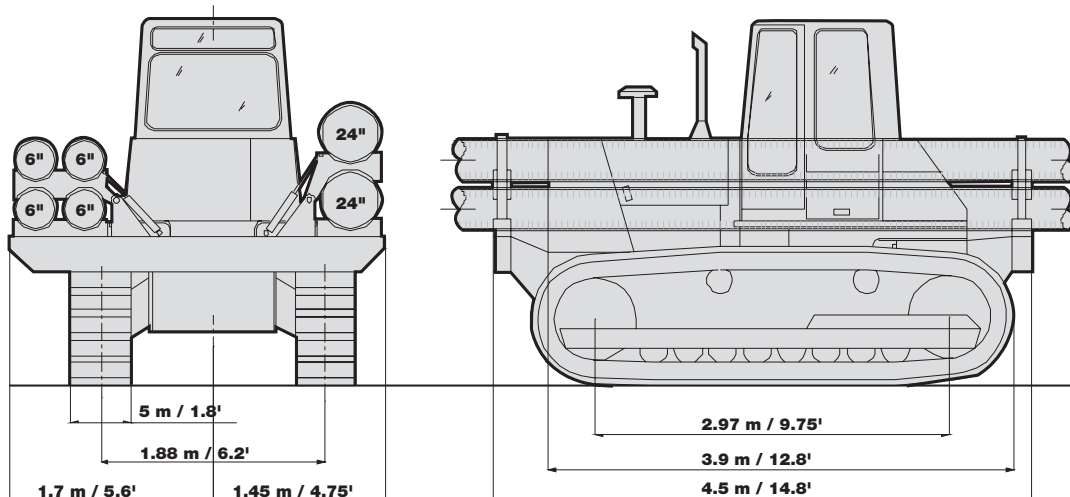
FEATURES

- Carries pipe ranging from 6" to 24"
- Hydraulic operated cradle arms
- Can be made to fit your Caterpillar tractor
- No special hydraulic power source required
- Easy removal and reinstallation
- Based on Komatsu D65EX / FIAT D185 Tractor

Horsepower 123 kW / 167 HP

Operating weight 17,000 kg / 37,400 lb

DIMENSIONS



Main office – General inquiries

SUPERIOR Manufacturing
 16031 East Freeway
 Channelview, TX 77530
 U.S.A.
 Phone 281.452.5800
 Fax 281.452.5455
 U.S. Toll Free 800.383.2666
 Intl. Toll Free 800.9675.3948
pipeline@wwmach.com
www.worldwidemachinery.com

Evan Greenberg
 Vice-President of international operations

Worldwide offices**Europe and Australia**

Juergen Hafemann
 Phone +49.0.231.963.3073 *Germany*
 Phone +61.0.400.144.432 *Australia*
jhafemann@wwmach.com

India

Abhishek Bhotika
 Phone +91.11.414.59230
abhishek@bhotikabrothers.com

Africa

Evan Greenberg
 Phone +1.281.452.5800
egreenberg@wwmach.com

**Italy, Russia, China
and the Middle East**

Sergio Braoude
 Phone +39.349.198.1281 *Italy*
 Phone +7.495.507.4827 *Russia*
sbraoude@wwmach.com

Latin America

Salvador Villasana
 Phone +52.81.8.394.0160
svillasana@wwmach.com

North America

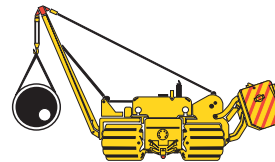
Rick Layh
 Phone +1.720.244.2580
rlayh@wwmach.com

Italy office

SUPERIOR Manufacturing
 Via Roma, 18
 San Pancrazio, Parma
 Italy
 Phone +39.349.198.1281
sbraoude@wwmach.com

Disclaimer

The information contained in this brochure is intended to be of a general nature only. The SUPERIOR Manufacturing Company may at any time and from time to time, for technical or other necessary reasons, modify any of the details or specifications of the product described in this brochure. Illustrations do not necessarily show products in standard conditions. The dimensions, weights and capacities shown herein, as well as any conversion data used, are approximate only and are subject to variations within normal manufacturing techniques.



**WORLDWIDE
MACHINERY**
 PIPELINE DIVISION

