

↳ SUBJECT TO CHANGE FOR PRODUCT IMPROVEMENT ↳

TATA DAEWOO HEAVY DUTY TRUCK
SPECIFICATIONS MANUAL

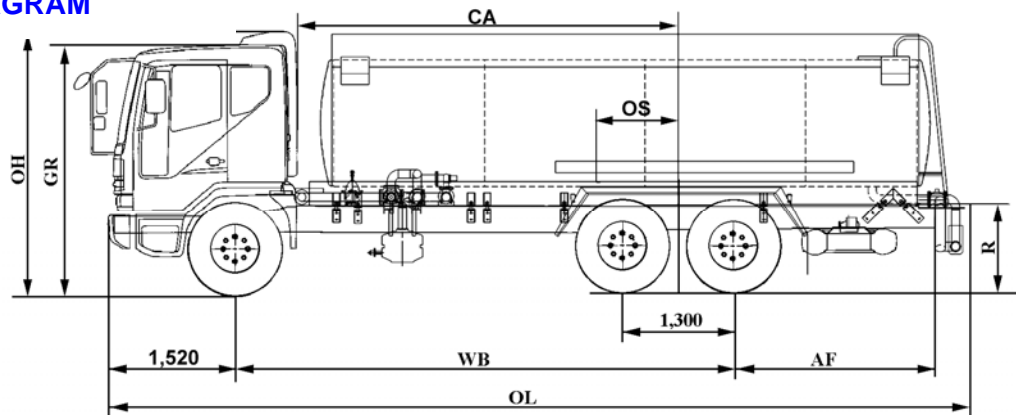
MODEL NAME : 15KL WATER T/L
MODEL CODE : K7CEF

APRIL 2008.

TATA DAEWOO COMMERCIAL VEHICLE CO., LTD.

** This specification is subject to be changed.*

o DIAGRAM



o DIMENSIONS (mm)		Overall	Length	OL	9,995
			Width	OW	2,490
			Height	OH	3,080
	Tread		Front	FT	2,050
			Rear	RT	1,855
	Wheelbase			WB	5,800
	Rear axle to frame			AF	2,510
	Ground to roof			GR	2,935
	Frame-ground above bogie			R	1,110
	Usable cab to axle			CA	4,400
	Deck offset			OS	570
	Ground to tank floor			GD	1,435
	Min. ground clearance				270
	Tank inside		Length		6,640
			Width		2,300
			Height		1,380
			Volume(m ³)		15.0

o WEIGHTS (kg)		Chassis weight	Front	3,980
			Rear	3,820
			Total	7,800
	Curb weight			9,570
	Payload			16,000
	Axle load		Front	6,500
			Rear	23,000
	Permissible G.V.W			29,500

o PERFORMANCE		Max. speed	(km/h)	99
		Max. gradeability	(%)	36.9
		Min. turning radius	(m)	9.1

o ENGINE	Manufacturer	Doosan Infracore
	Model	DE12TIS
	Emission certificate	EURO II
	Type	Turbo intercooler, diesel engine
	Max. power	340ps (250kw)/ 2,100rpm
	Max. torque	145kg.m (1450N.m)/ 1,260rpm
	No. of cylinder	In line 6- cylinder
	Bore×Stroke	123×155(mm)
	Displacement	11,051cc
	Controller type	Semi-electronic
	Air cleaner	Dry paper elements
o CLUTCH	Type	Hydraulic control with air assisted Dry single plate with coil spring
	Plate diameter	Outside diameter : 430mm(17 ")
o TRANSMISSION	Manufacturer	TONGIL
	Model	T15S6
	Speed	6 Forward / 1 Reverse
	Gear ratio	6.744/4.207/2.526/1.569/1.000/ 0.746/6.857(R)
o FRONT AXLE	Type	Reverse elliot "I" beam
	Axle capacity	6,500kg
o REAR AXLE	Manufacturer	TONGIL
	Model	T14HT
	Type	Banjo single reduction
	Final drive ratio	5.571
	Axle capacity	23,000kg
o TIRE & WHEEL	Tire	11.00-20-16PR
	Disc wheel	7.5V×20
	No. of wheel studs	10

o FRAME	Type	Ladder type, single channel
	Size (H×W×T)	320×90×8 (mm)
	Towing hook	Frame width behind cab : 850mm Equipped front & rear
o STEERING	Handle position	Left-hand drive
	Type	Recirculating ball with integral power assisted by oil
	Steering column	Tilt & Telescopic
	Steering wheel	2-spoke wheel with horn button
o FRONT SUSPENSION	Type	Semi-elliptical leaf spring
	Size (L×W)	1,500mm×90mm
o REAR SUSPENSION	Type	Semi-elliptical leaf spring
	Size (L×W)	1,300mm×90mm
o BRAKE	Service brake	Full air brake dual circuit
	Drum diameter	410mm
	Lining Front	414mm×155mm
	Rear	414mm×203mm
	Material	Non-asbestos
	Parking brake	Spring actuator at rear wheels
	Auxiliary brake	Exhaust brake
	Air dryer	One equipped
o FUEL TANK	Volume	400 ℓ
	Material	Made of pressing steel
	Cap	Equipped key lock
o ELECTRICAL SYSTEM	Battery	12V - 150Ah×2
	Alternator	24V - 45A
	Starter	24V - 5.4kw
o EXHAUST SYSTEM	Type	Mounted longitudinal

o CAB	Type	All –welded cab of tilt type Hydraulic Tilt. Tilt angle 50 °
	Number of crew	2
	Cab suspension Tilting System	Coil spring & shock absorber Electrical
o INSTRUMENTATION	Gauges & meters	Speedometer
		Water temperature gauge
		Air pressure gauge, fuel gauge
		Engine oil pressure gauge Engine tachometer gauge
o SEAT & BED	Driver seat	Height adjustable, rigid seat Sliding & reclining, Equipped with head rest
	Passenger seat	Rigid type, full folding & reclining
	Bed	Equipped one bed
	Covering	Vinyl
o WIPER	Type	Two blade, 3-speed wiper with electrical washer
o HEATING		Heater & Defroster
o GLASS & MIRROR	Windshield	Laminated safety glass
	Door glass	Tempered safety glass
	Outside mirror	Convex mirror
o LAMP	Front	Head & fog lamp, turn signal lamp Position lamp
	Rear	Position, stop, turn signal lamp Reverse lamp License plate lamp
o TOOLS	Tools	Hydraulic Jack, Wrench monkey Wrench & Handle-Wheel nut Driver, Spare tire handle, etc
	Spare tire	One equipped with mounting

ADDITIONAL EQUIPMENT

K7CEF

o GEAR PUMP	Type	Gear type with by-pass
	Material(Base)	Stainless steel
	Bore size	80mm (suction & discharge)
	Suction pressure	380 mmHg
	Discharge pressure	2.3 kg/cm ² (normal)
		3.0 kg/cm ² (maximum)
	Capacity	1000 ℓ /min
	RPM	600 ~ 700 min
	Quantity	1 EA
o VALVES	2-way valve	3 inch, 2EA
	4-way valve	3 inch, 1EA
		Suction, Discharge, Free, Stop
	Strainer	3 inch, 1EA
	Bottom valve	3 inch, 1EA
o P.T.O	Type	T/M P.T.O
	P.T.O Switch	Located in the cab
		Connected T/M P.T.O to pump
o DRIVE SHAFT		
o TANK EQUIPMENT	Loading type	Top loading (manhole)
	Material (Base)	Steel, Epoxy coated
	(Optional)	Stainless steel
	Baffle plate	4EA, Located inside tank
		Preventing loaded liquid
		From baffling
	Manhole	4EA, Located on the tank
		Live : 2EA, Blind : 2EA
Hose locker	2EA, Located each side of tank	
Top fence	Located in the upper part of tank	
Air relief valve	Located on the live manhole cover	
o OTHERS	Loading / Unloading hose	3 inch x 6m x 6EA with quick coupling
	Level gauge	PVC hose, located near the tank

